

# winterhalter

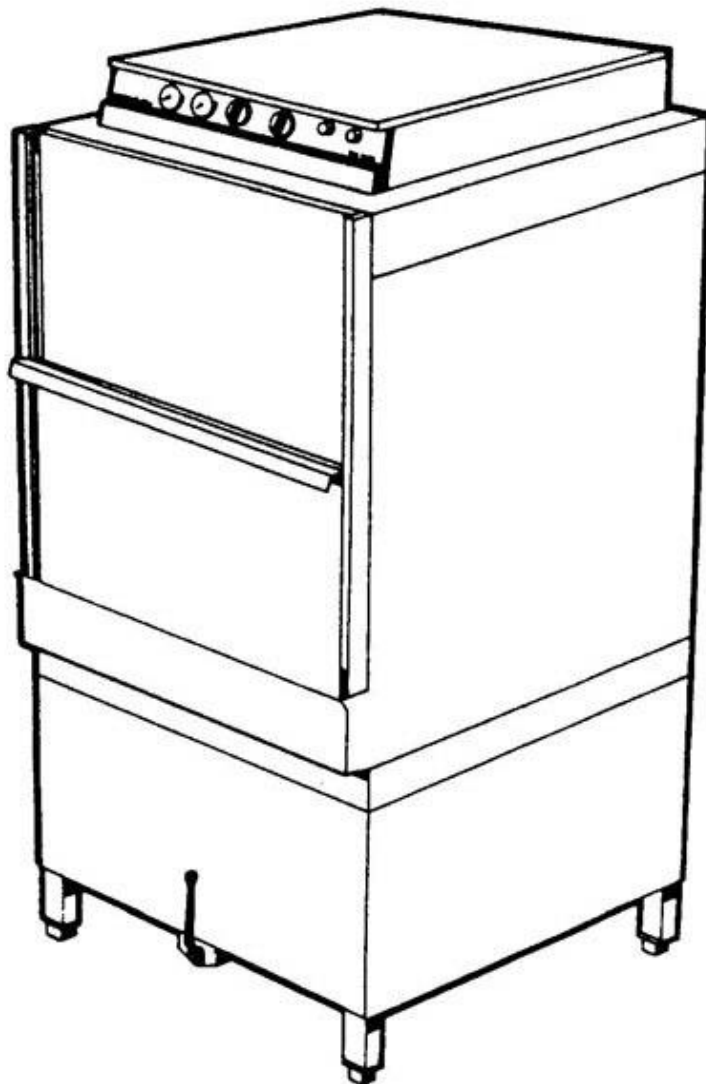
---

## Spare Parts List GR 1221

Edited: 04/96

Revised 03/05

Part no.: 89001252



## Summary

Water supply	page 1 and 2
Water inlet, tank heating	page 3 and 4
Water drain I	page 5 and 6
Water drain II	page 7 and 8
Wash system I	page 9 and 10
Bottom wash system II	page 11 and 12
Top wash system III	page 13 and 14
Rinsing I	page 15 and 16
Rinsing II	page 17 and 18
Dosing	page 19 and 20
Lifting flap door with rod assembly	page 21 and 22
Lifting flap door with cable pull	page 23 and 24
Door limit switch	page 25 and 26
Base frame, container, panel	page 27 and 28
Electrical parts I	page 29 and 30
Electrical parts II	page 31 and 32
Electrical parts III	page 33 and 34

Please note in this list:

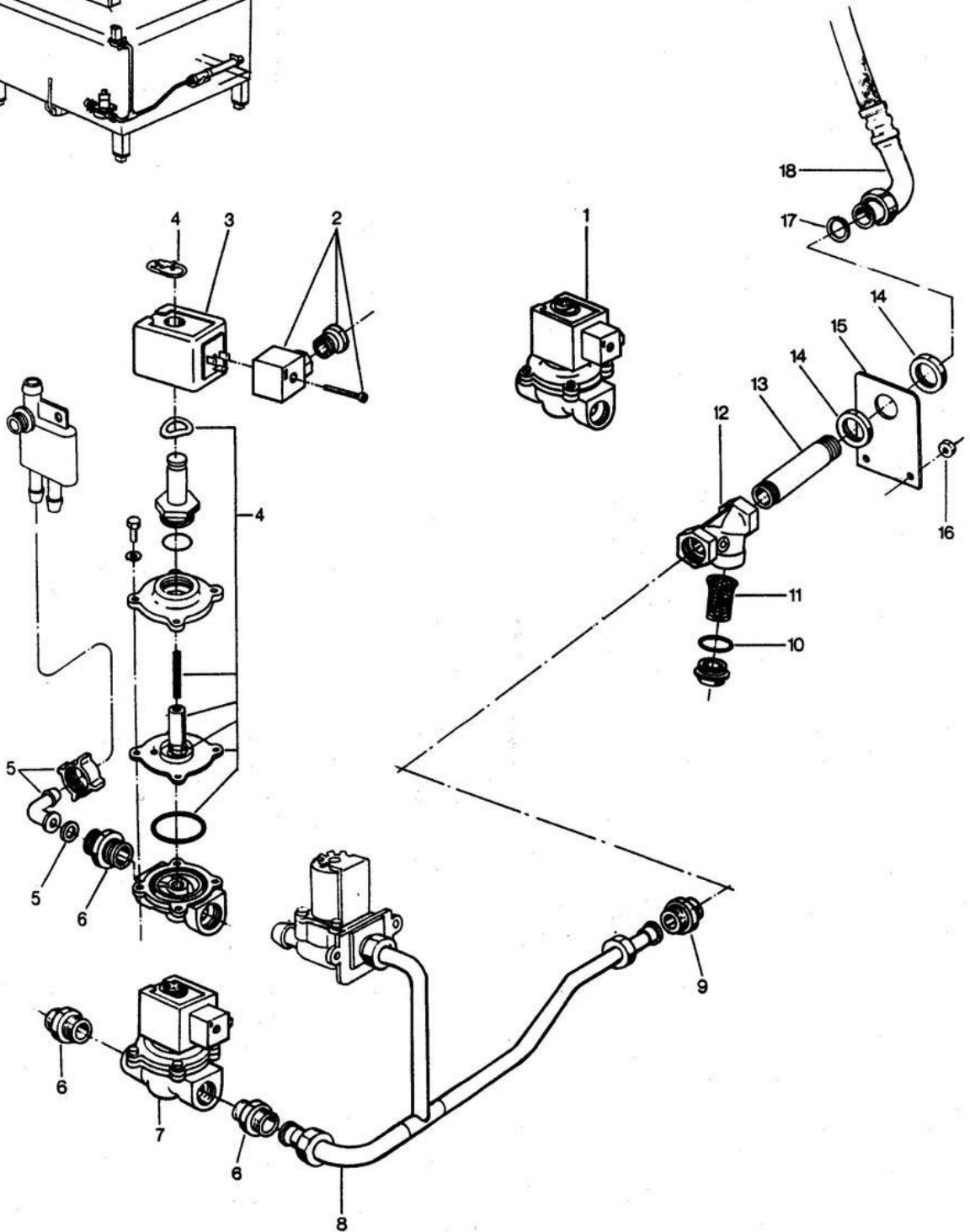
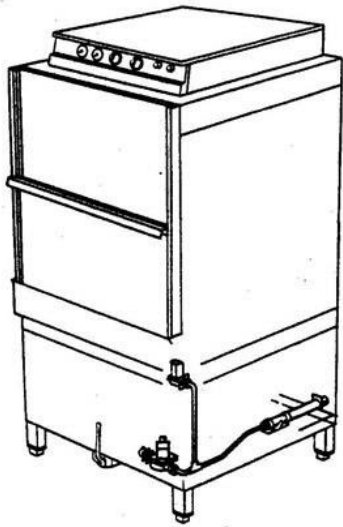
Racks and accessories see separate list.

In column „Pc.“ the necessary number is indicated, as far as more than 1 part is installed and if the part is no standard part.

Parts that have the note " Part made to order only!" are not in stock. This parts are made specially for your order and have a delivery time. They are not returnable.

# GR 1221

**Wassenzulauf**  
Water supply  
Alimentation d'eau



## GR 1221

### Water supply

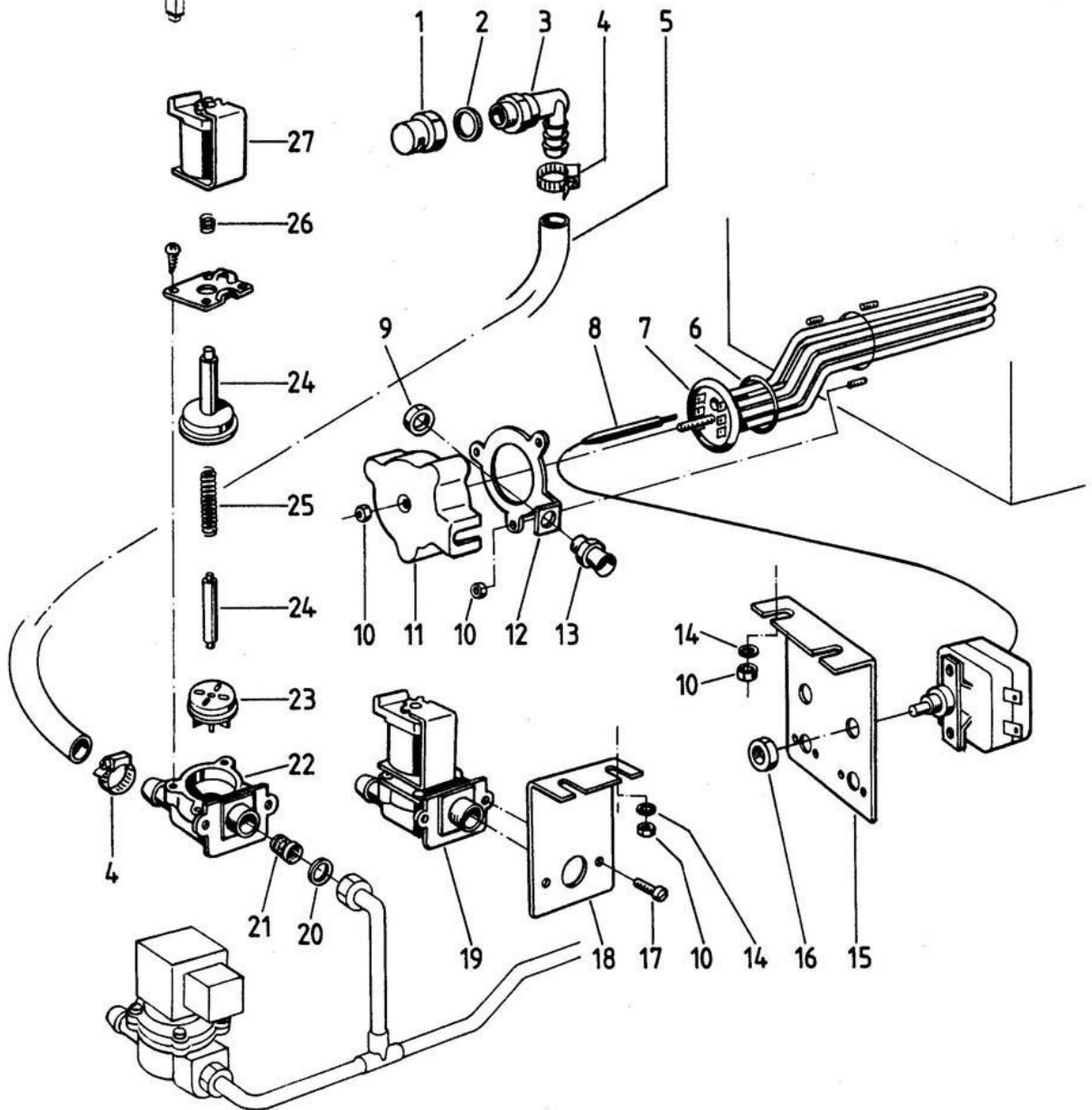
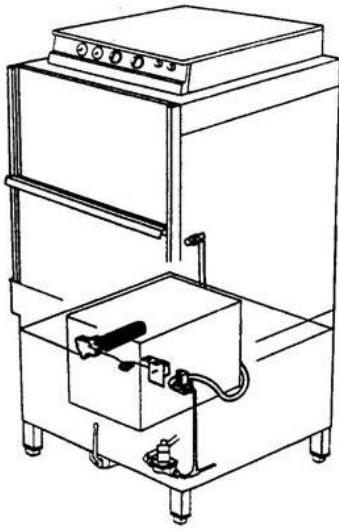
Pos.	Designation	Part no.	Pc.	Notes
1	Solenoid valve G 3/4", 230 V 50 Hz	31 06 089		until 12/92
n.p.	Double nipple G 3/4"	30 11 207		
2	Connector plug	31 06 082		for pos. 1 and 9
3	Coil 230 V 50 Hz – 60 Hz	31 06 083		
n.p.	Coil 230 V 60 Hz	31 06 111		
4	Repair kit	31 06 115		
5	Angle connection G 3/4" x 14,5	29 06 515		
6	Reducing nipple G 3/4" x G 1/2"	61003430	2	
7	Solenoid valve G 1/2", 230 V 50 Hz	31 06 080		
8	Inlet pipe cpl.	55 05 031		Incl. Pos 9
9	Double nipple G 3/4"	30 11 207	2	
10	Seal $\varnothing$ 34 x $\varnothing$ 27 x 2	27 09 025		
11	Filter for dirt trap	28 07 201		
12	Dirt trap G 3/4"	28 07 101		
13	Long nipple G 3/4" x 155	65000224		
14	Locking nut G 3/4" x 5	61002626	2	
15	Retaining plate for water supply	65000149		Part made to order only !
16	Hexagon nut M 6	21 05 304		self-securing
17	Seal $\varnothing$ 24 x $\varnothing$ 17 x 2	27 09 009		
18	Metal hose $\varnothing$ 15 x 2000, G 3/4"	29 01 316		
n.p.	Seal $\varnothing$ 24 x $\varnothing$ 19,5 x 1,5	27 09 010	2	between pos. 6 - 8 - 9
Steam valves on request				

### GR 1221

#### Wassereinlauf, Tankheizung

Water inlet, tank heating

Arrivée d'eau, chauffage de la cuve



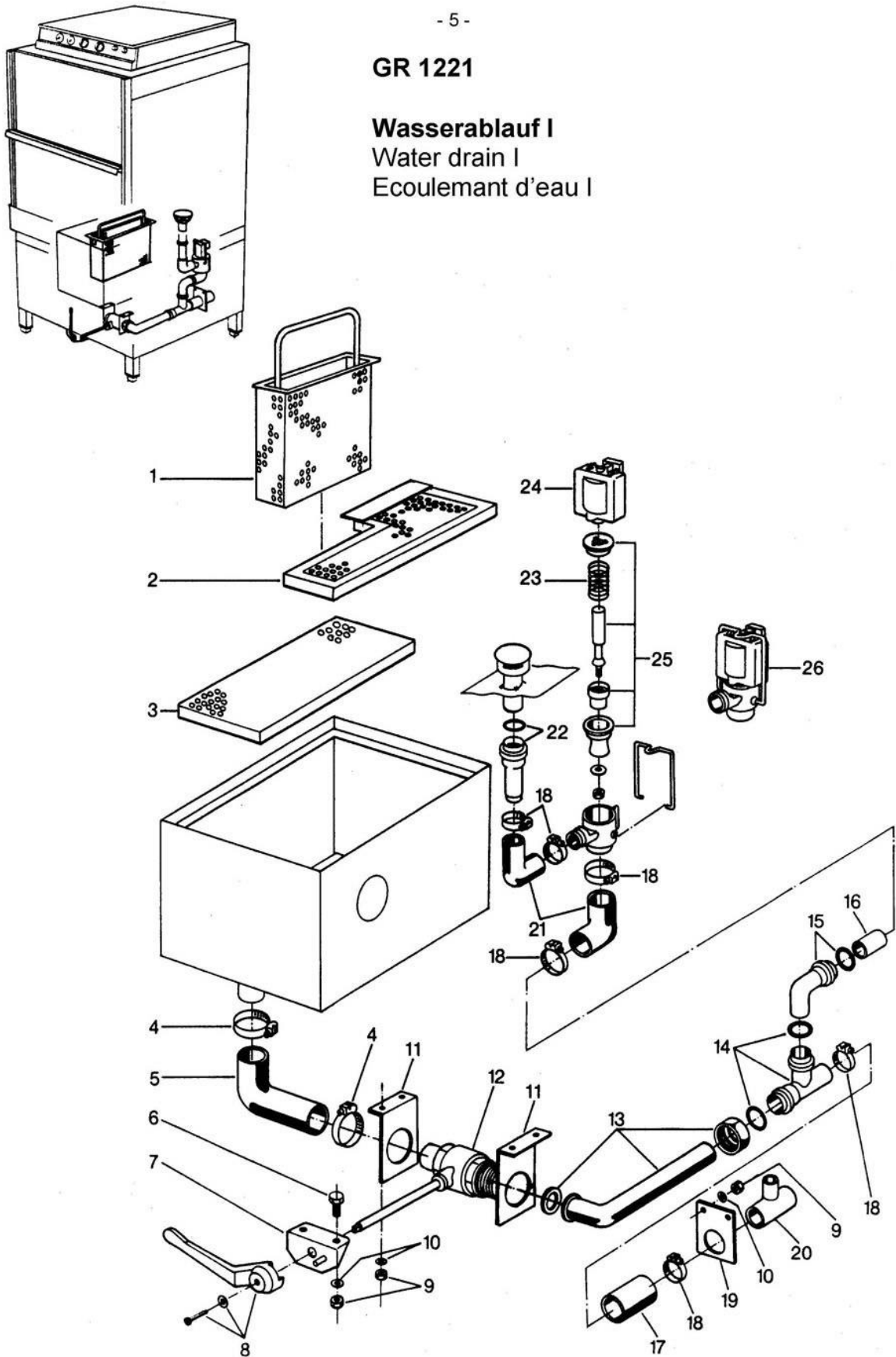
**GR 1221**

Water inlet, tank heating

Pos.	Designation	Part no.	Pc.	Notes
1	Water inlet	61005339		New Version
n.p.	O-Ring	27 07 031		
n.p.	Thrust ring	62002943		
2	Seal $\varnothing$ 28 x $\varnothing$ 21 x 2	27 09 011		To old version
3	Mediamat inlet cpl.	55 31 001		
4	Retainer clip $\varnothing$ 14 - $\varnothing$ 24	28 02 108		
5	Hose $\varnothing$ 13,5 x 3,5 x 1800	40 02 029		per metre
6	O-ring $\varnothing$ 46 x 6	27 07 069		
7	Heating element cranked 3x230/400 V 6 kW	31 03 017		
n.p.	Heating element cranked 240/420 V 6 kW	31 03 043		
8	Safety thermostat	31 25 030	2	as from 10/93
9	Hexagon nut PG 13,5	31 10 041		
10	Hexagon nut M 5	21 05 302		
11	Cap for heating element	31 03 014		
12	Clamping plate cpl.	55 19 018		
13	Cable gland PG 13,5	31 10 040		
14	Washer $\varnothing$ 5,3	22 01 300		
15	Thermostat support	65002459		
16	Hexagon nut M 8	21 05 306	2	self-securing
17	Pan head screw M 4x8	20 10 210	2	
18	Solenoid valve support	65000116		Part made to order only !
19	Solenoid valve 230-240 V, 50-60 Hz	31 06 180		
20	Seal $\varnothing$ 24 x $\varnothing$ 19,5 x 1,5	27 09 010		
21	Dirt filter red	31 06 118		
22	Base part for solenoid valve			Replaced by pos. 19
23	Diaphragm			
24	Plunger with bush			
25	Spring			
26	Spring			
27	Coil 230/240 V, 50/60 Hz			

# GR 1221

## Wasserablauf I Water drain I Ecoulement d'eau I



## GR 1221

### Water drain I

Pos.	Designation	Part no.	Pc.	Notes
1	Sump sieve cpl.	65001833		as from 5/89
n.p.	Sump sieve cpl.	55 13 028		until 4/89
2	Sump box cover II cpl.	65001838		as from 5/89
3	Sump box cover I cpl.	80001728		as from 5/89, perforated
n.p.	Sump box cover 1-part, cpl.	65000161		until 4/89
4	Retainer clip $\varnothing$ 62 - $\varnothing$ 82	28 02 120	2	
5	Suction elbow $\varnothing$ 62 x 9; 80 x 120	40 03 028		
6	Hexagon bolt M 6 x 16	20 01 306		
7	Support for selector shaft cpl.	55 02 015		
8	Handle for drain valve	29 03 248		
n.p.	Fitting disk $\varnothing$ 30 x $\varnothing$ 42 x 0,5	22 04 001		
9	Hexagon nut M 6	21 01 304		
10	Spring washer B 6	23 03 300		
11	Support for drain valve	55 02 014	2	
12	Drain valve with extended selector shaft	29 03 204		
13	Drain elbow cpl. G 2" x $\varnothing$ 50	30 15 517		
n.p.	Gasket $\varnothing$ 48 x 56 x 2	30 15 541		To pos. 13
14	Plastic branch $\varnothing$ 50 x $\varnothing$ 50 x $\varnothing$ 50	30 15 516		
15	Plastic elbow $\varnothing$ 50; 87 degrees	30 15 508		
16	Plastic pipe $\varnothing$ 50 x 250	30 15 518		cut to 100 mm
17	Reinforced hose $\varnothing$ 50 x 4,5 x 120	40 02 012		per metre
18	Retainer clip $\varnothing$ 47 - $\varnothing$ 67	28 02 115	6	
19	Supporting plate for drain	65000141		Part made to order only!
20	Mediamat drain cpl.	65000114		
21	Angle socket $\varnothing$ 50 x 4; 67 x 67	40 03 013	2	
22	Pipe $\varnothing$ 50 x 250	30 15 518		cut to 130 mm
23	Spring	31 06 119		replaced by: 31 06 060
24	Coil	no more available		
n.p.	Coil 240 V 50 Hz			
n.p.	Coil 220 V 60 Hz			
25	Diaphragm	31 06 137		
26	Drain solenoid valve NW $\varnothing$ 50	31 06 060		
n.p.	Clamp clip	31 06 169		

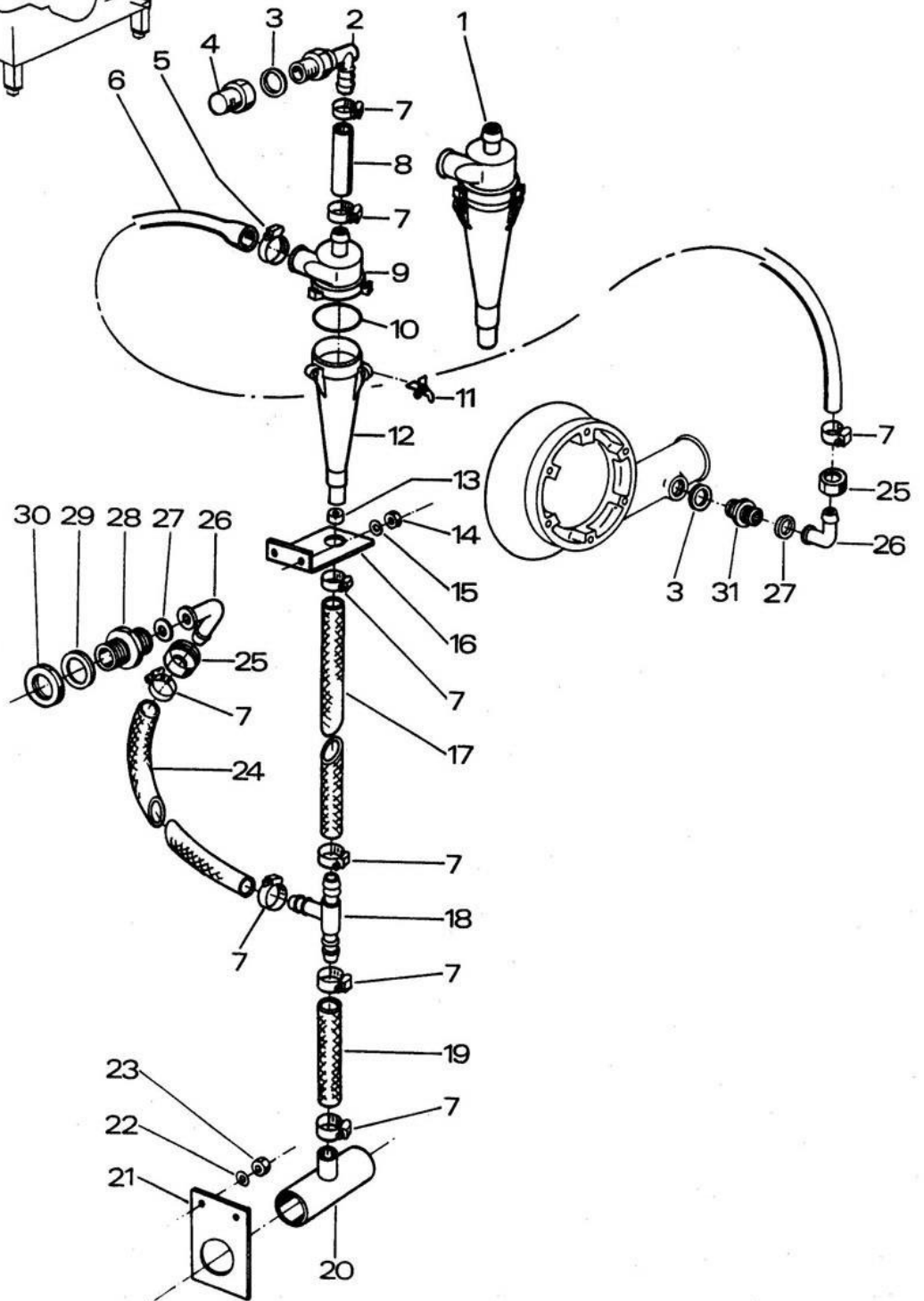
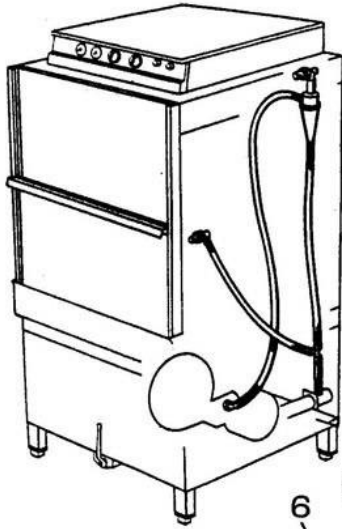


**GR 1221**

**Wasserablauf II**

Water drain II

Ecoulement d'eau II



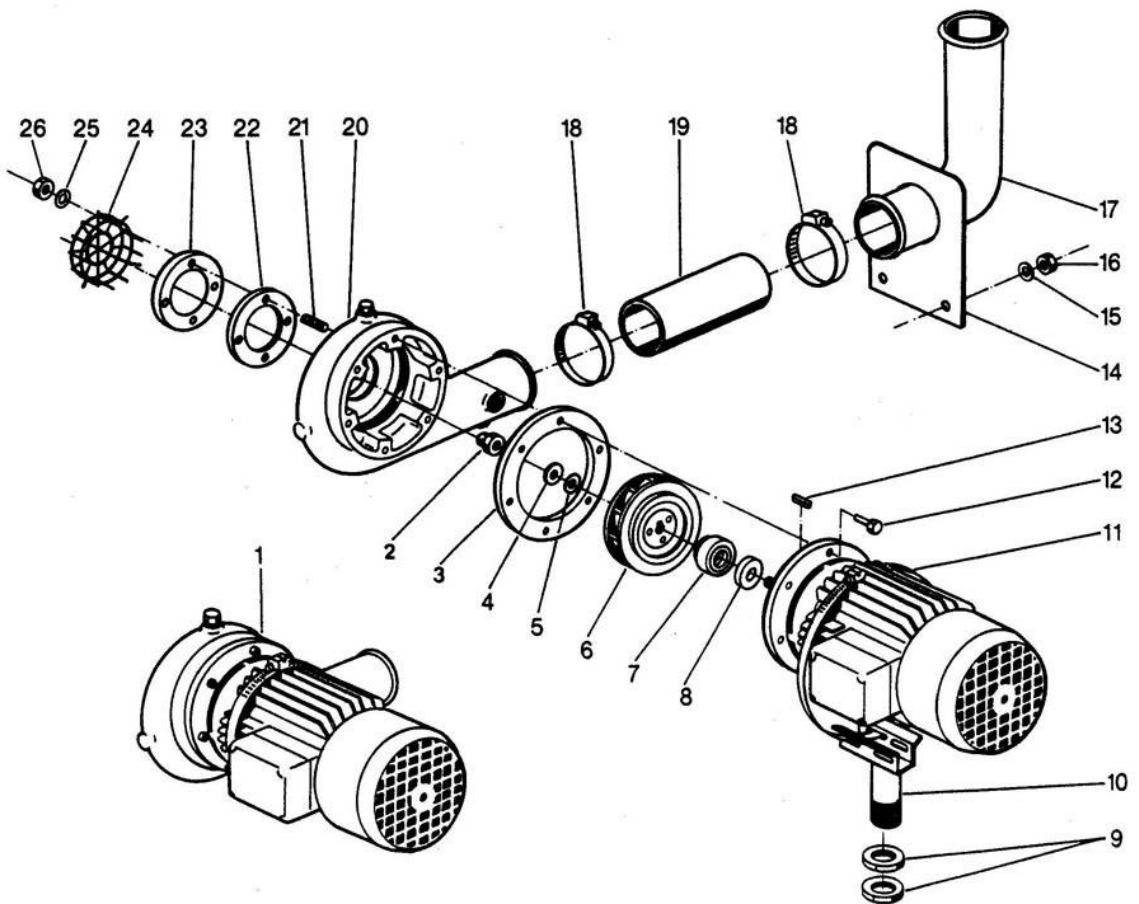
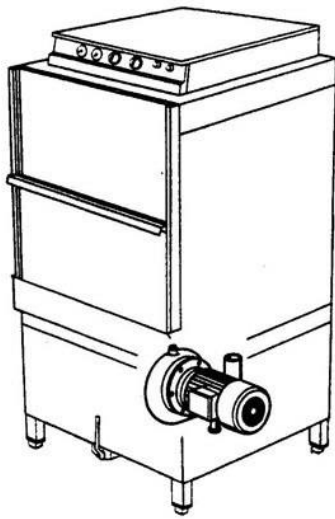
**GR 1221**

Water drain II

Pos.	Designation	Part no.	Pc.	Notes
1	Mediamat cpl.	55 27 040		
2	Mediamat connection G 1/2" cpl.	55 31 001		Incl. Pos 2,3,4
n.p.	O-Ring	27 07 031		New version
n.p.	Thrust ring	62002943		
3	Seal $\varnothing$ 28 x $\varnothing$ 21 x 2	27 09 011		Old version
4	Water inlet	35 01 157		
5	Retainer clip $\varnothing$ 32 - $\varnothing$ 52	28 02 110		
6	Reduction hose $\varnothing$ 30/16 x 5 x 1300	40 03 036		
7	Retainer clip $\varnothing$ 20 - $\varnothing$ 30	28 02 109	8	
8	Hose $\varnothing$ 16 x 4 x 60	40 01 015		per metre
9	Top part inlet	35 01 124		
10	O-ring $\varnothing$ 51 x 3	27 07 043		
11	End piece clip	28 04 041	4	
12	Accelerator	35 01 035		
13	Insert for Mediamat	35 01 123		
14	Hexagon nut M 4	21 01 302		
15	Washer $\varnothing$ 4,3	22 02 202		
16	Supporting angle for Mediamat	61000658		
17	Fabric hose 19 x 4 x 960	40 01 016		per metre
18	T-Hose socket $\varnothing$ 19	29 06 512		
19	Fabric hose 19 x 4 x 70	40 01 016		per metre
20	Mediamat drain cpl.	65000114		
21	Supporting plate for drain	65000141		Part made to order only!
22	Spring washer B 6	23 03 300		
23	Hexagon nut M 6	21 01 304		
24	Fabric hose 19 x 4 x 810	40 01 016		per metre
25	Coupling nut G 3/4" x $\varnothing$ 21 x 14	29 07 203	2	
26	Mediamat connection elbow	29 06 524	2	
27	Seal $\varnothing$ 24 x $\varnothing$ 19,5 x 1,5	27 09 010		
28	Double nipple for overflow cpl. G3/4"xG3/4"x 34	55 04 031		
29	Seal $\varnothing$ 42 x $\varnothing$ 27 x 2	27 09 003		
30	Locking nut narrow G 3/4" x 5	61002626		
31	Mediamat connection nipple G 1/2" x G 3/4" x 32	30 11 502		

**GR 1221**

**Waschsystem I**  
Wash system I  
Système de lavage I



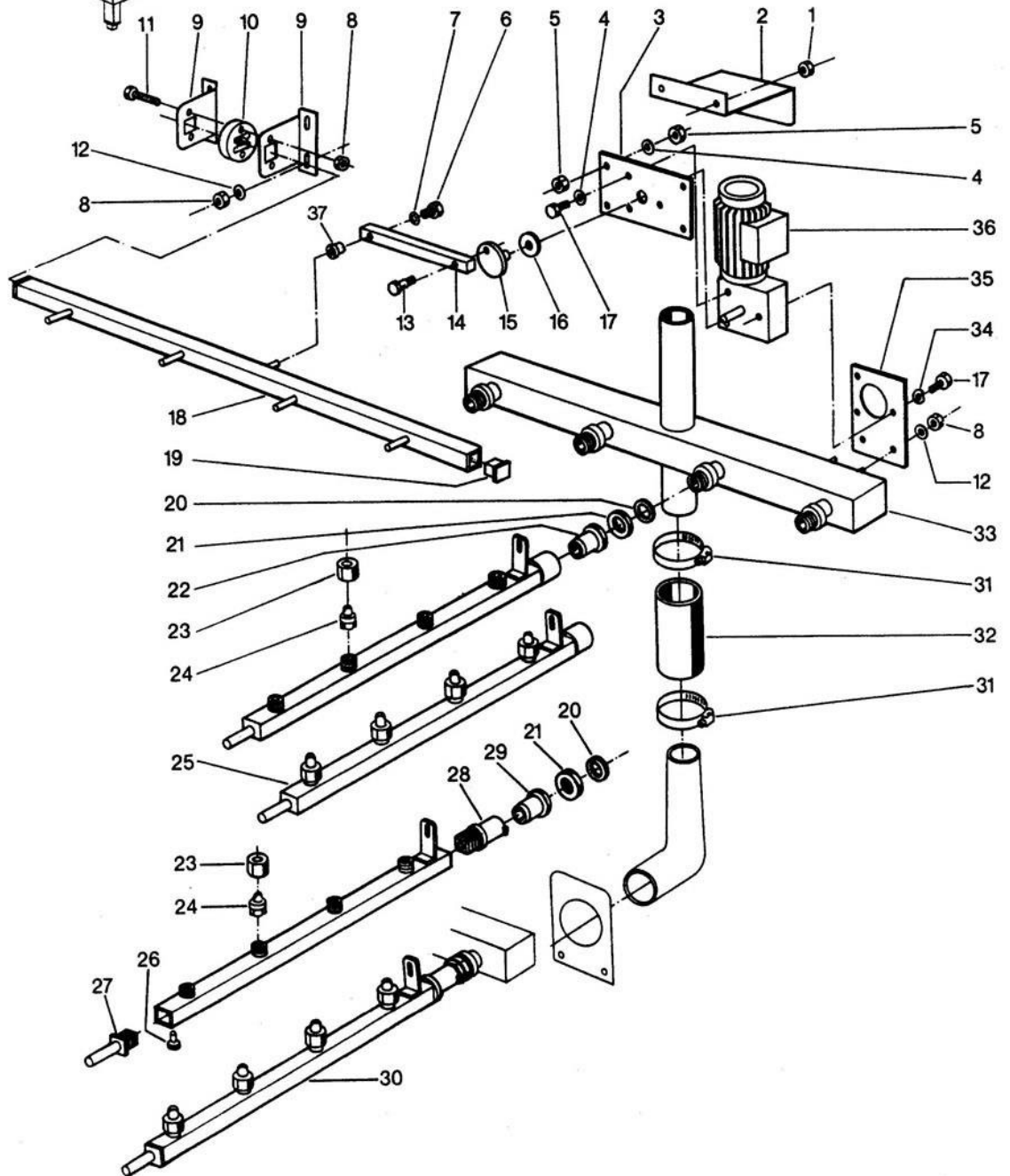
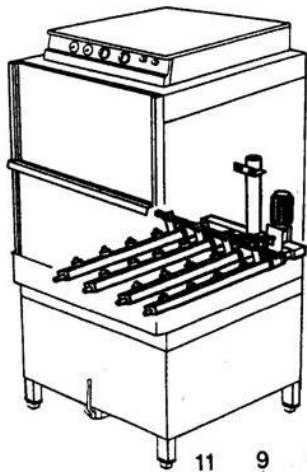
## GR 1221

### Wash system I pump

Pos.	Designation	Part no.	Pc.	Notes
1	Pump cpl. 3,7 kW 220/380 V 50 Hz	55 14 049		
n.p.	Pump cpl. 3,7 kW 240/420 V 50 Hz	55 14 121		
n.p.	Pump cpl. 3,7 kW 220/380 V 60 Hz	55 14 122		
2	Dome head nut M 10	21 10 306		self-securing
3	Seal $\varnothing$ 190 x $\varnothing$ 143 x 1,0	27 09 037		
4	Washer $\varnothing$ 10,5	22 01 206		
5	Seal M 10	22 08 506		
6	Pump impeller $\varnothing$ 140 x 45,	35 01 181		50 Hz
n.p.	Pump impeller $\varnothing$ 128 x 45,	55 14 141		60 Hz
7	Motor shaft seal			Sealing kit cpl. 80002672 Incl. Pos. 3
8	Seating ring			
n.p.	Fitting disk $\varnothing$ 30 x $\varnothing$ 42 x 0,5	22 04 001		
9	Locking nut G 3/4"	61002626		
10	Motor support cpl.	65000118		Part made to order only!
11	Retainer clip $\varnothing$ 167 - 187	28 02 124		
12	Hexagon bolt M 6 x 18	20 01 014		
13	Feather key 4 x 4 x 12	26 10 002		
14	Supporting plate for pump elbow	65000207		Part made to order only!
15	Washer $\varnothing$ 6,4	22 01 302		
16	Hexagon nut M 6	21 01 304		
17	Reduction elbow cpl.	55 06 051		
18	Retainer clip $\varnothing$ 62 - $\varnothing$ 82	28 02 120	2	
19	Pump hose $\varnothing$ 60 x 8 x 200 lg.	40 02 007		Per metre
20	Pump housing	55 14 139		
21	Threaded pin M 8 x 30	20 30 307	4	
22	Seal $\varnothing$ 100 x $\varnothing$ 65 x 2	27 09 024		
23	Sieve plate	65000208		
24	Suction sieve	55 13 123		
25	Washer $\varnothing$ 8,4	22 01 303		
26	Hexagon nut M 8	21 01 305		
n.p.	Fan cover	31 01 143		
n.p.	Cooling fan	31 01 142		

### GR 1221

### Waschsystem II unten Bottom wash system II Système de lavage inférieur II



## GR 1221

### Wash system II bottom

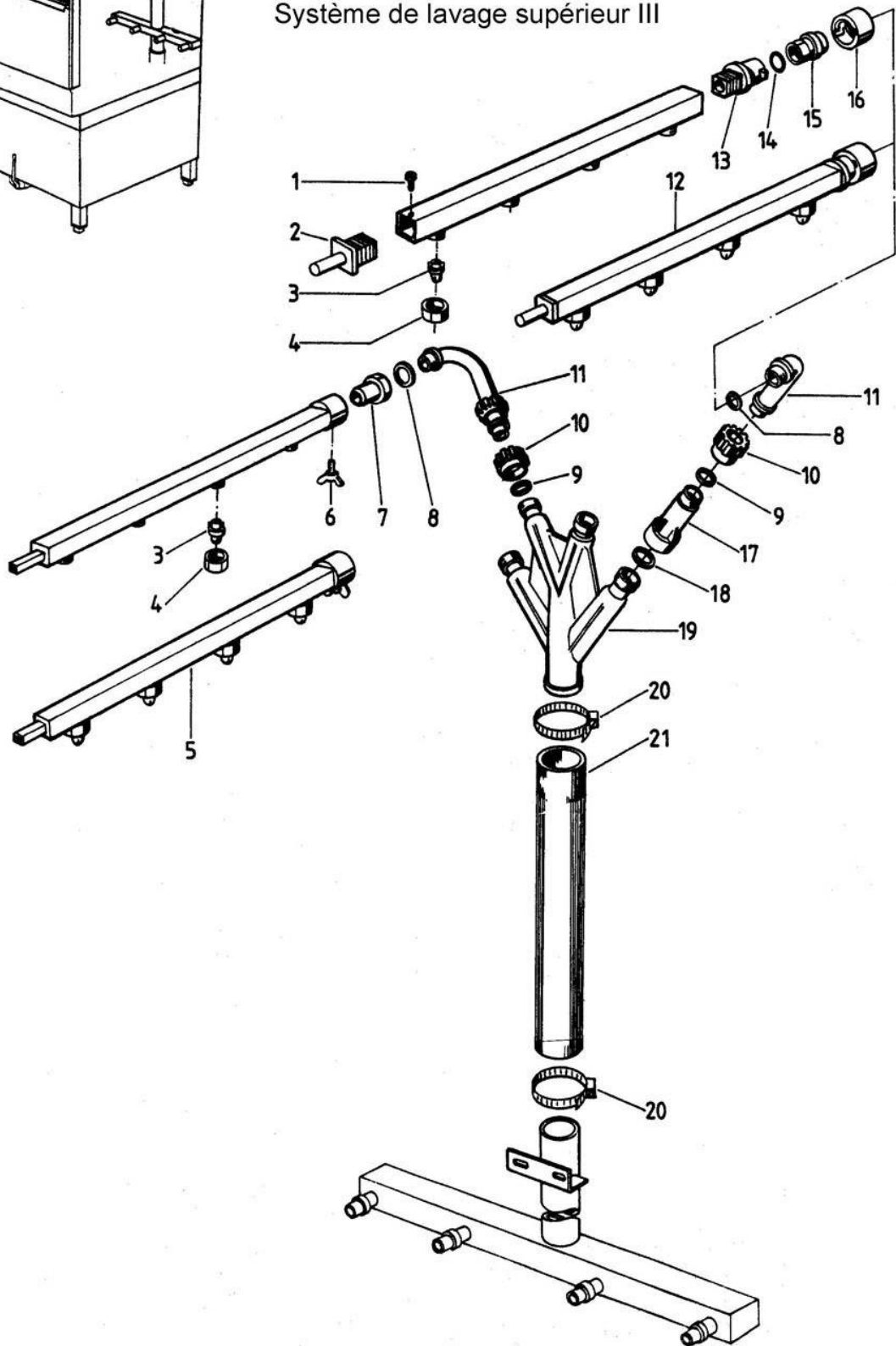
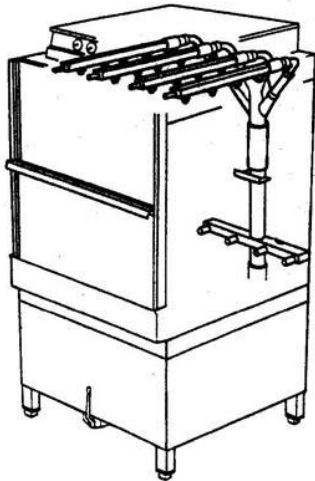
Pos.	Designation	Part no.	Pc.	Notes
1	Hexagon nut M 4	21 05 300		self-securing
2	Cover for gearmotor	65000244		
3	Adjusting plate	65000239		Part made to order only!
4	Washer $\varnothing$ 8,4	22 01 303		
5	Hexagon nut M 8	21 01 305		
6	Hexagon bolt M 5 x 10	20 01 300		
7	Washer $\varnothing$ 5,3	22 01 300		
8	Hexagon nut M 6	21 01 304		
9	Support for connecting rod	65000238	2	
10	Sliding block for connecting rod	35 01 211		
11	Hexagon bolt M 6 x 30	20 01 307		
12	Washer $\varnothing$ 6,4	22 01 302		
13	Crank pin SW 17 x 34	55 08 035		
14	Connecting plate 15 x 20 x 200	55 08 034		
15	Eccentric pulley $\varnothing$ 70 x 37	55 08 036		
16	Shaft seal	27 08 003		
17	Hexagon bolt M 8 x 16	20 01 302		
18	Connecting rod cpl.	65000237		
19	Plug	35 03 016	2	
20	Seal $\varnothing$ 34 x $\varnothing$ 27 x 2	27 09 025	4	
21	Locking nut G 3/4" x 5	61002626	4	
22	Bush SW 36 x 40; G 3/4"	35 01 177	4	until mach. no. 201 736
23	Coupling nut for wash jet G 1/2"	29 10 532	16	
24	Wide spread jet	29 10 509	16	
25	Bottom wash arm cpl.	65000607	4	until mach. no. 201 736
26	Sheet-metal screw B 2,9 x 6,5	20 20 308		
27	Guide piece 30 x 30 x 73,5	65002080	4	
28	Wash arm head $\varnothing$ 44 x 69	65002079	4	as from mach. no. 201 737
29	Bush SW 36 x 40	65002085	4	
30	Bottom wash arm cpl.	65002262	4	
31	Retainer clip $\varnothing$ 47 - $\varnothing$ 67	28 02 115	2	
32	Pump hose $\varnothing$ 50 x 8 x 200	40 02 006		per metre
33	Bottom distributor cpl.	65000199		Part made to order only!
34	Spring washer B 8	23 03 301		
35	Supporting plate for gearmotor	65000246		
36	Reversing motor 0,09 kW 220-240/380-420 V 50 Hz	31 16 021		
n.p.	Reversing motor 0,09 kW 200-242V/346-420V	31 16 039		
n.p.	Reversing motor 0,09 kW 240-420 V 50 Hz	31 16 021		
37	Bush $\varnothing$ 20 x 8	65000027		

GR 1221

Waschsystem III oben

Top wash system III

Système de lavage supérieur III



**GR 1221**

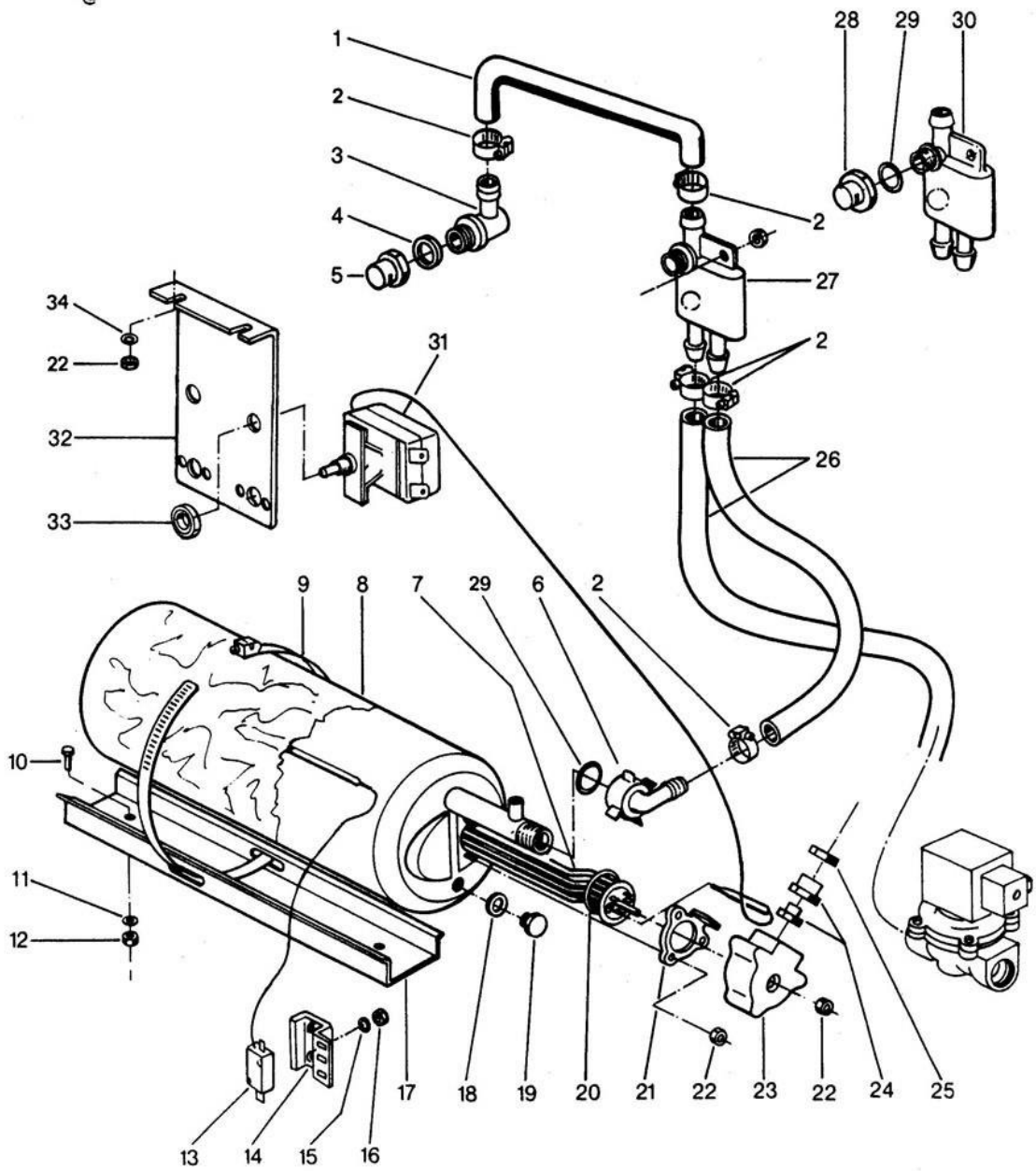
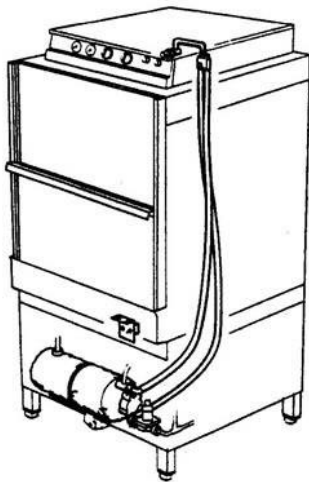
Upper wash system III

Pos.	Designation	Part no.	Pc.	Notes
1	Sheet metal screw B 2,9 x 6,5	20 20 308		
2	Guide piece 30 x 30 x 73,5	65002080	4	
3	Wide spread jet	29 10 509	16	
4	Coupling nut for wash jet	29 10 532	16	
5	Upper wash arm cpl.	65000195	4	until mach. no. 201 736
6	Wing screw M 6 x 10	20 06 332	4	
7	Bush SW 36 x 40, G 3/4"	35 01 177	4	
8	Seal $\varnothing$ 36 x $\varnothing$ 26 x 2	27 01 003	4	
9	O-ring $\varnothing$ 24 x 3	27 07 066	2	
10	Coupling nut G 1 1/4" x 24	35 01 004	4	
11	Distributor elbow G 3/4"	35 01 005	4	
12	Upper wash arm cpl.	65002265	4	as from mach. no. 201 737
13	Wash arm head $\varnothing$ 44 x 69	65002079	4	
14	O-ring $\varnothing$ 28 x 2,5	27 07 049		
15	Hexagon cap nut $\varnothing$ 38 x 34, G 3/4"	61004059	4	
16	Locking ring $\varnothing$ 49 x 28	61002023	4	
17	Extension piece G 1 1/4" x 133	35 01 003	2	
18	Seal $\varnothing$ 39 x $\varnothing$ 32 x 2	27 02 001	2	
19	Distributor upper part	35 01 017		
20	Retainer clip $\varnothing$ 47 - $\varnothing$ 67	28 02 115	2	
21	Hose $\varnothing$ 50 x 8 x 200 lg.	40 02 006		per metre



# GR 1221

## Nachspülung I Rinsing I Rinçage I



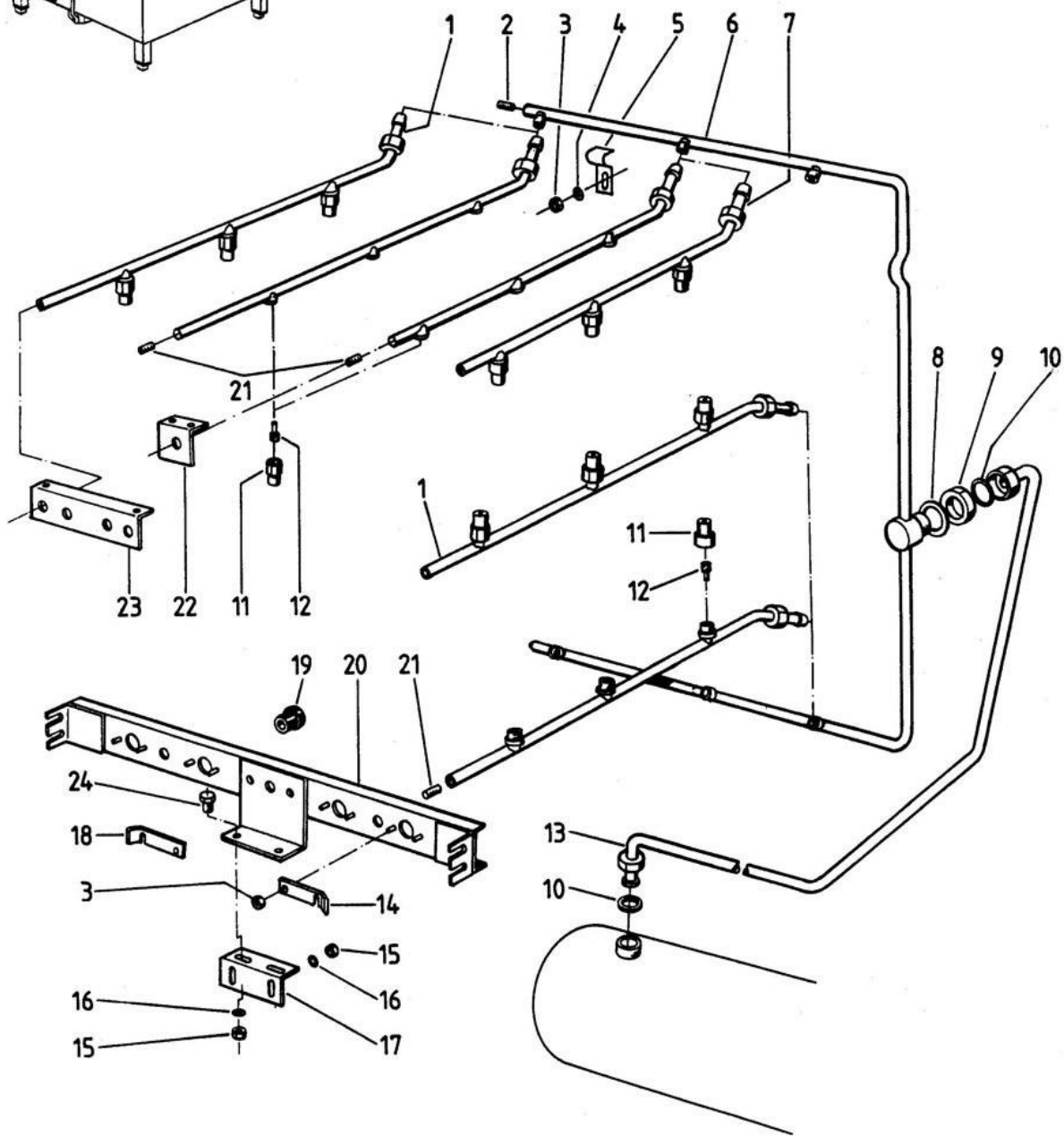
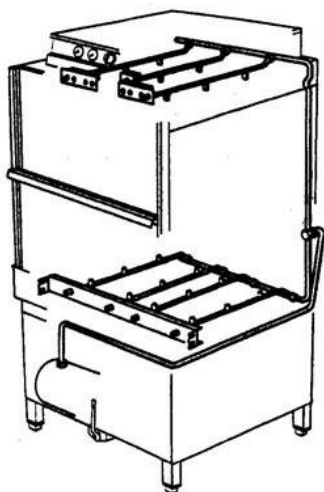
## GR 1221

### Rinsing I

Pos.	Designation	Part no.	Pc.	Notes
1	Shaped hose $\varnothing$ 13 x 4 x 140	40 03 053		until mach. no. 201 379
2	Retainer clip $\varnothing$ 14 - $\varnothing$ 24	28 02 108	3	
3	Connection G 1/2" x 14,5			
4	Seal $\varnothing$ 28 x $\varnothing$ 21 x 2	27 09 011		Old version
n.p.	O-ring	27 07 031		New version
5	Water inlet G 1/2" x $\varnothing$ 26 x 34	61005331		New version
6	Angle connection G 3/4" x 18	29 06 515		
7	Heating element cranked 6 kW 3 x 230/400 V	31 03 017		
n.p.	Heating element cranked 6 kW 240/420 V	31 03 043		
8	Boiler body, 1 hole 480 lg.	55 12 035		
9	Retainer clip $\varnothing$ 167 x $\varnothing$ 187	28 02 124		
10	Hexagon bolt M 6 x 16	20 01 306		
11	Spring washer B 6	23 03 300		
12	Hexagon nut M 6	21 01 304		
13	Safety thermostat	31 25 022		until mach. no. 203 410
14	Support for safety thermostat	62001583		
15	Washer $\varnothing$ 4,3	22 02 302		
16	Hexagon nut M 4	21 05 201		self-securing
17	Boiler retaining plate 380 lg.	61002039		
18	Seal $\varnothing$ 18 x $\varnothing$ 10 x 1,5	27 03 003		
19	Locking screw M 10 x 14	20 01 352		
20	O-ring $\varnothing$ 46 x 6	27 07 069		
21	Clamping plate cpl.	55 19 018		
22	Hexagon nut M 5	21 05 302		self-securing
23	Cap for heating element	31 03 014		
24	Cable gland PG 13,5	31 10 040		
25	Hexagon nut PG 13,5	31 10 041		
26	Reinforced hose 13,5 x 3,5 x 1800	40 02 029		per metre
27	Upper backflow restrictor	35 01 193		until mach. no. 201 379
28	Vent cap G 3/8"	61004545		
29	Seal $\varnothing$ 24 x $\varnothing$ 14 x 2,0	62001366		as from mach. no. 201 380
30	Lateral backflow restrictor	35 01 194		new version
31	Safety thermostat 140°C	31 25 030		
32	Thermostat support	65002459		as from mach. no. 214 501
33	Hexagon nut M 8	21 01 305		
34	Washer $\varnothing$ 5,3	22 01 300		

### GR 1221

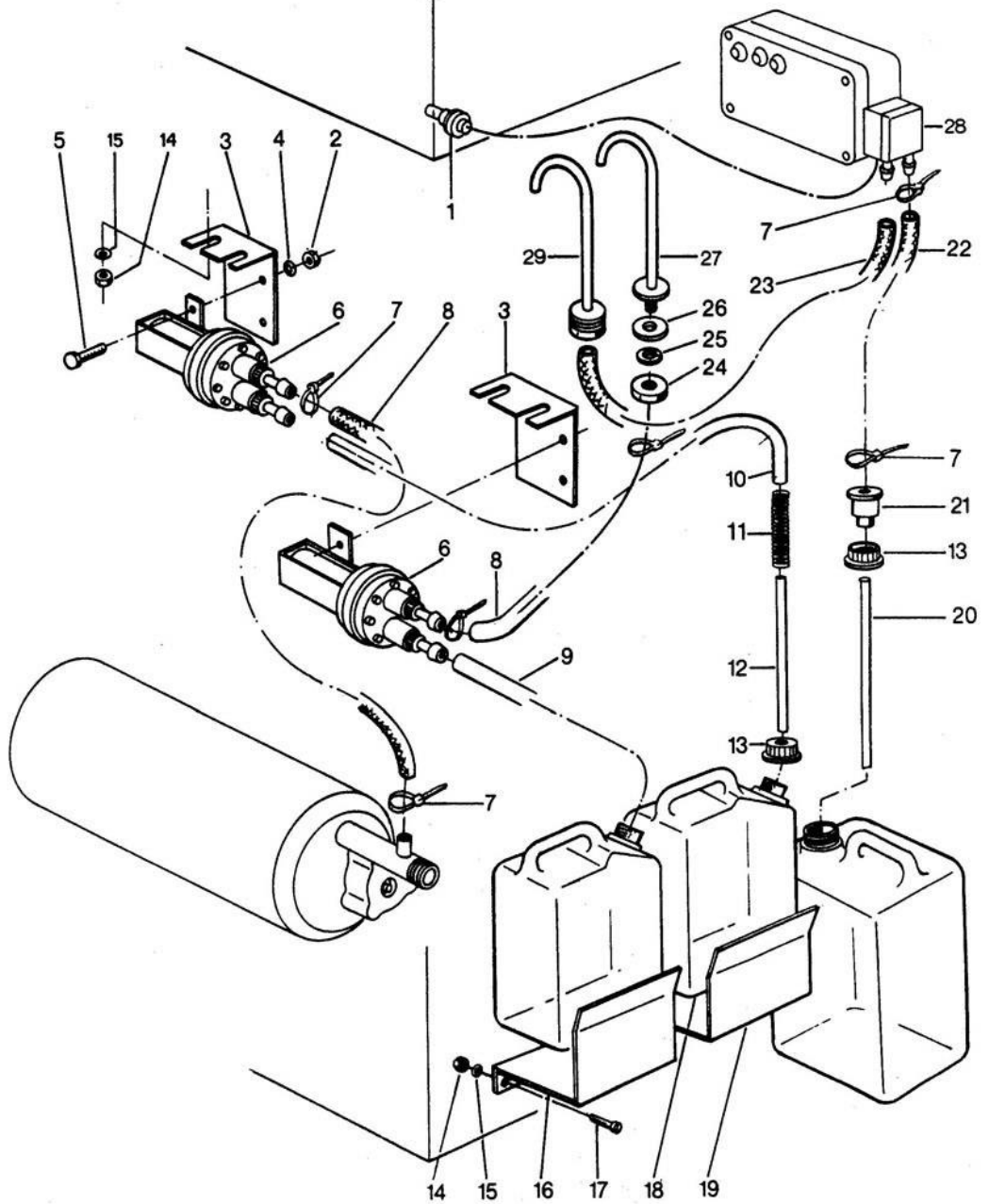
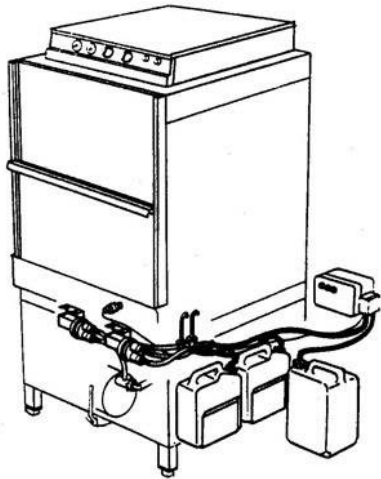
**Nachspülung II**  
Rinsing II  
Rinçage II





# GR 1221

**Dosierung**  
Dosing  
Dosage





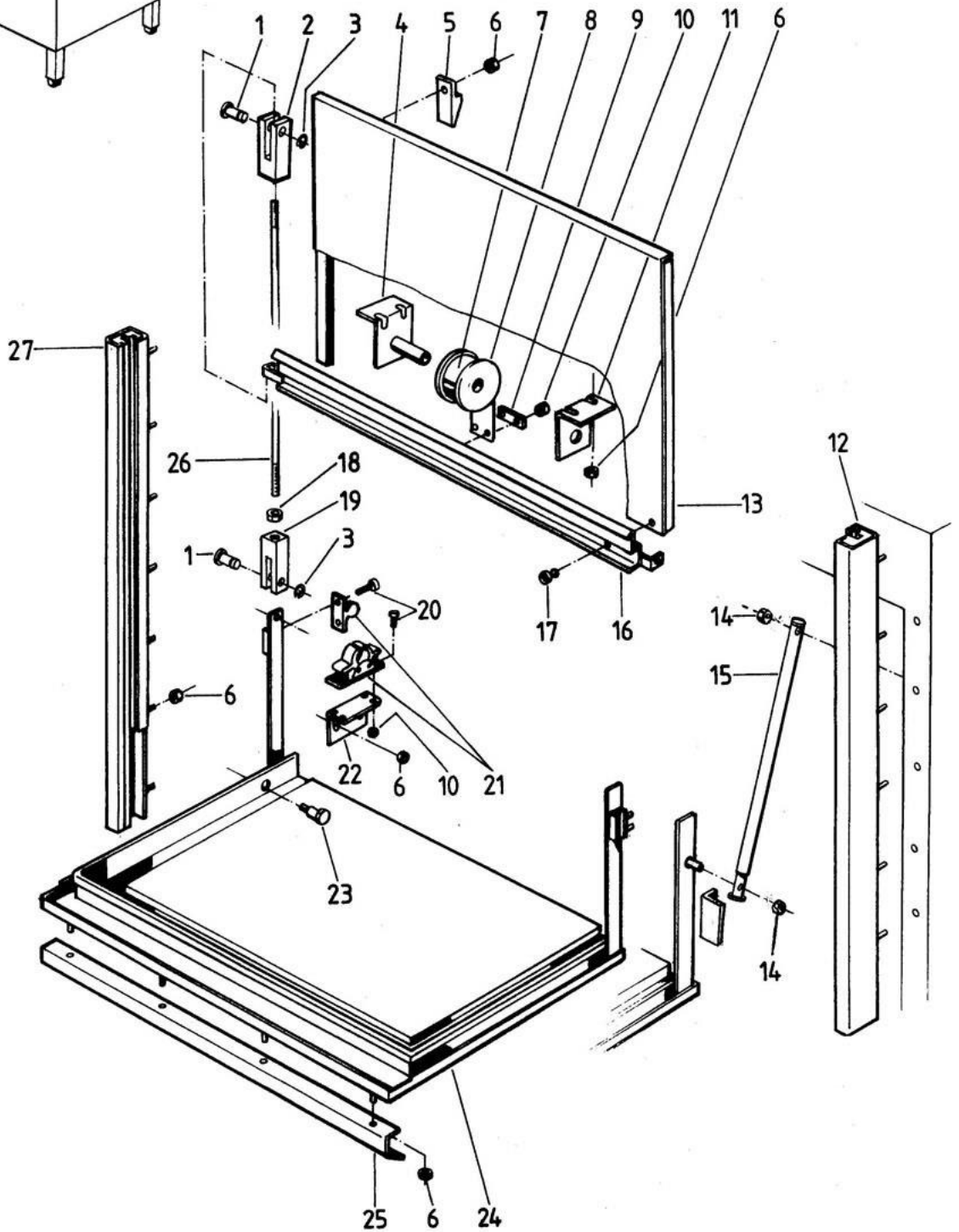
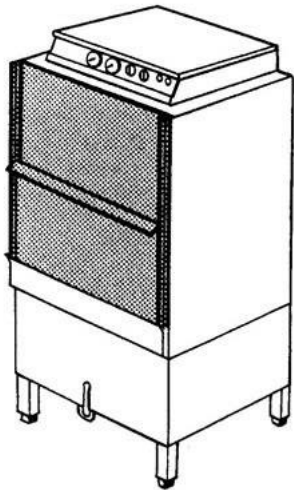
### GR 1221

ab (as from/ à partir de) 231 213 (4/95)

Hub-Klapptüre mit Gestänge

Lifting flap door with rod assembly

Porte de levage pliante avec système de tiges







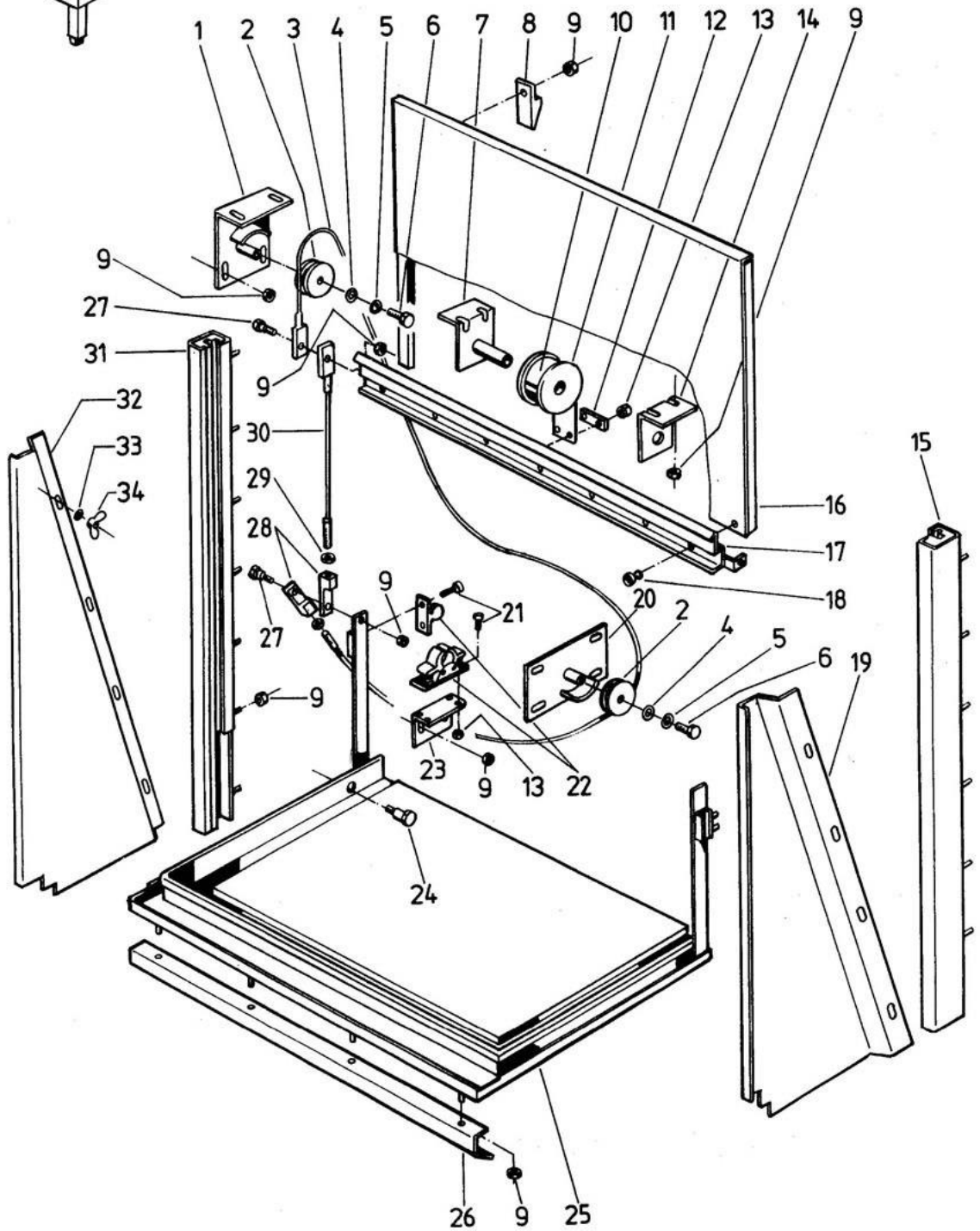
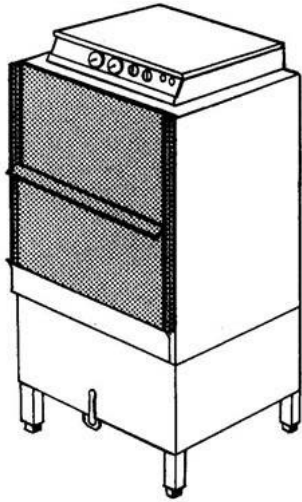
### GR 1221

bis (until / jusqu'à) 231 212 (4/95)

Hub-Klapptüre mit Seilzug

Lifting flap door with cable pull

Porte de levage pliante avec triant à câble



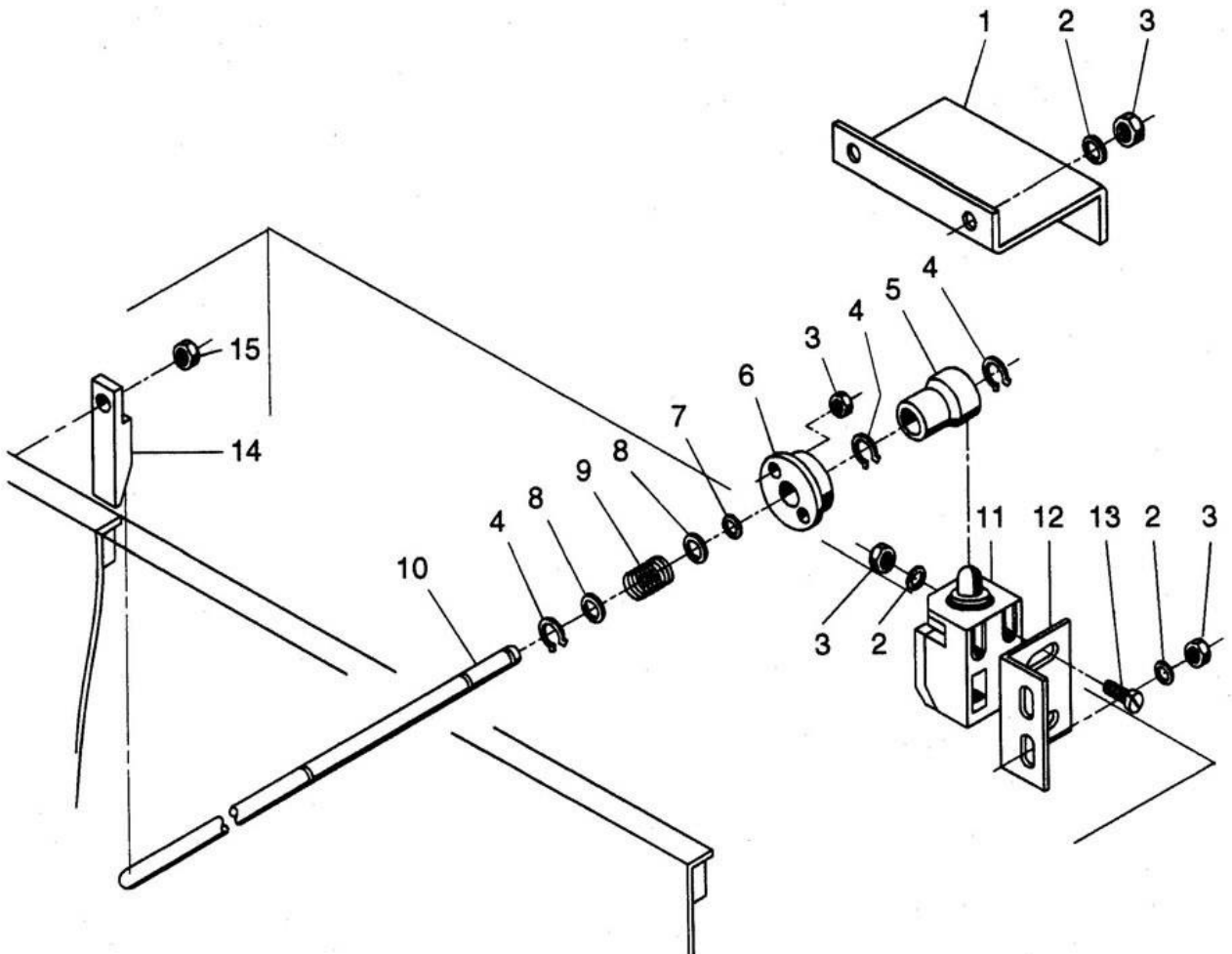
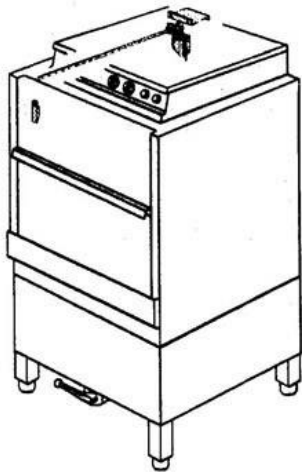
## GR 1221

### Lifting flap door with cable pull

Pos.	Designation	Part no.	Pc.	Notes
1	Top support cpl.	65001922	2	Part made to order only!
2	Rope pulley $\varnothing$ 60 x 14	65001446	6	
3	Wire rope long $\varnothing$ 4 x 1481	65001965	2	
4	Washer $\varnothing$ 8,5 x $\varnothing$ 30 x 2,5	22 01 304		
5	Washer $\varnothing$ 8,4	22 01 303		
6	Hexagon bolt M 8 x 10	20 01 315		
7	Spring bracket cpl.	65000406		
8	Stopping wedge	65001971		
9	Hexagon nut M 6	21 05 304		self-securing
10	Roller spring	28 04 024		
11	Pulley $\varnothing$ 90 x 24	35 01 160	2	
12	Clamping plate	65000417		
13	Hexagon nut M 4	21 05 300		self-securing
14	Bearer angle	65000414		
15	Door rail right cpl.	55 15 158		
16	Lifting door cpl.	65001628		Part made to order only!
17	Insert rail cpl.	65001516		Part made to order only!
18	Push button buffer	40 06 015		
19	Panel right	65001960		
20	Support bottom cpl.	65001928	2	
21	Pan head screw M 4 x 12	20 10 312		
22	Door catch	55 15 128		
23	Angle for door catch left	65001900		
24	Bearing bolt	65001537	2	
25	Flap door cpl.	65001978		
n.p.	Door bearing	65001510	2	
26	Door handle	65001535		
27	Bearing bolt	65001970	4	
28	Adjusting button	65001967	4	
29	Hexagon nut M 8	21 05 306		
30	Wire rope short $\varnothing$ 4 x 366	65001968	2	
31	Door rail left cpl.	55 15 157		
32	Panel left	65001961		Part made to order only!
33	Washer $\varnothing$ 5,3	22 01 300		
34	Wing nut M 5	21 15 305		

### GR 1221

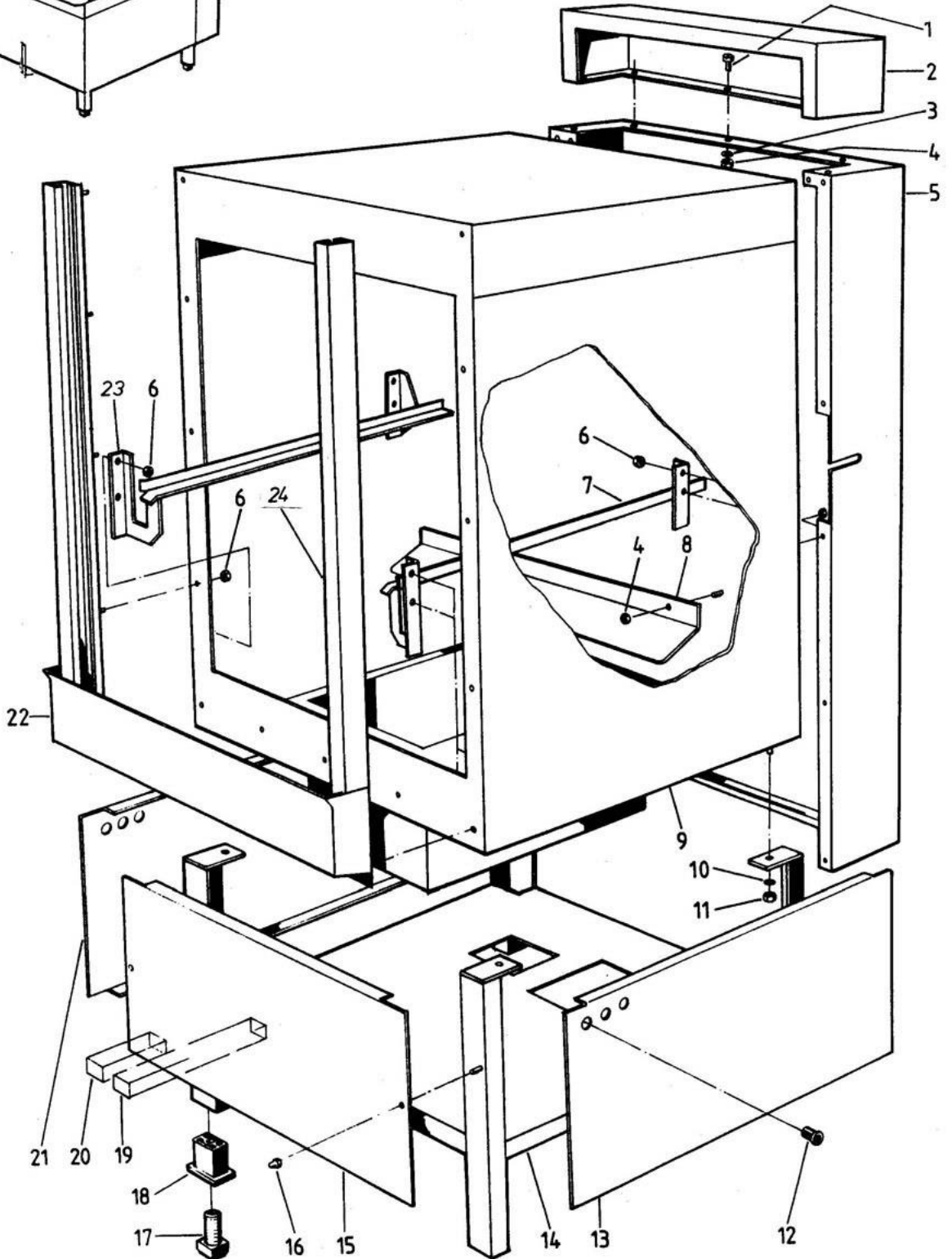
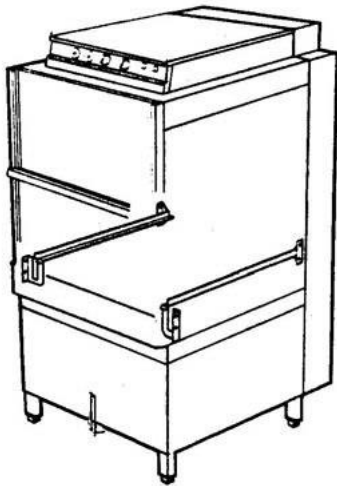
**Türendschalter**  
Door limit switch  
Contact de porte





### GR 1221

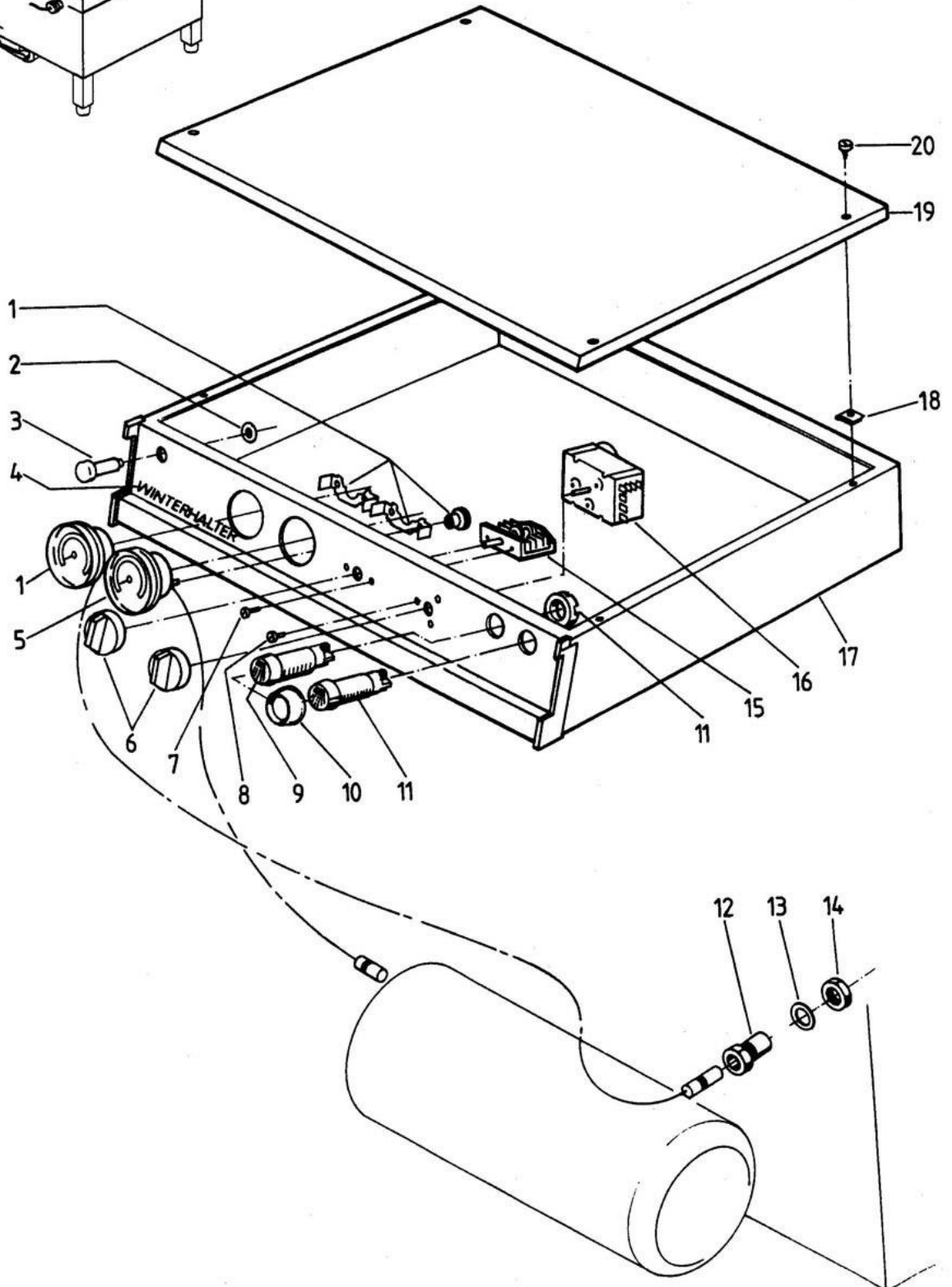
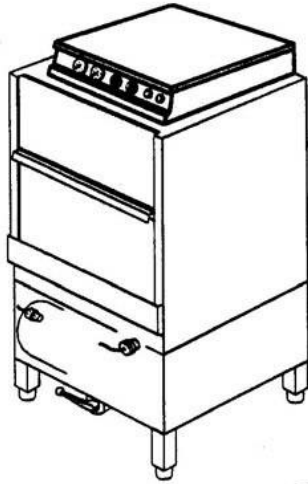
**Untergestell, Behälter, Verkleidung**  
Base frame, container, panel  
Châssis, récipient, habillage





# GR 1221

**Elektroteile I**  
Electrical parts I  
Matériel électrique I





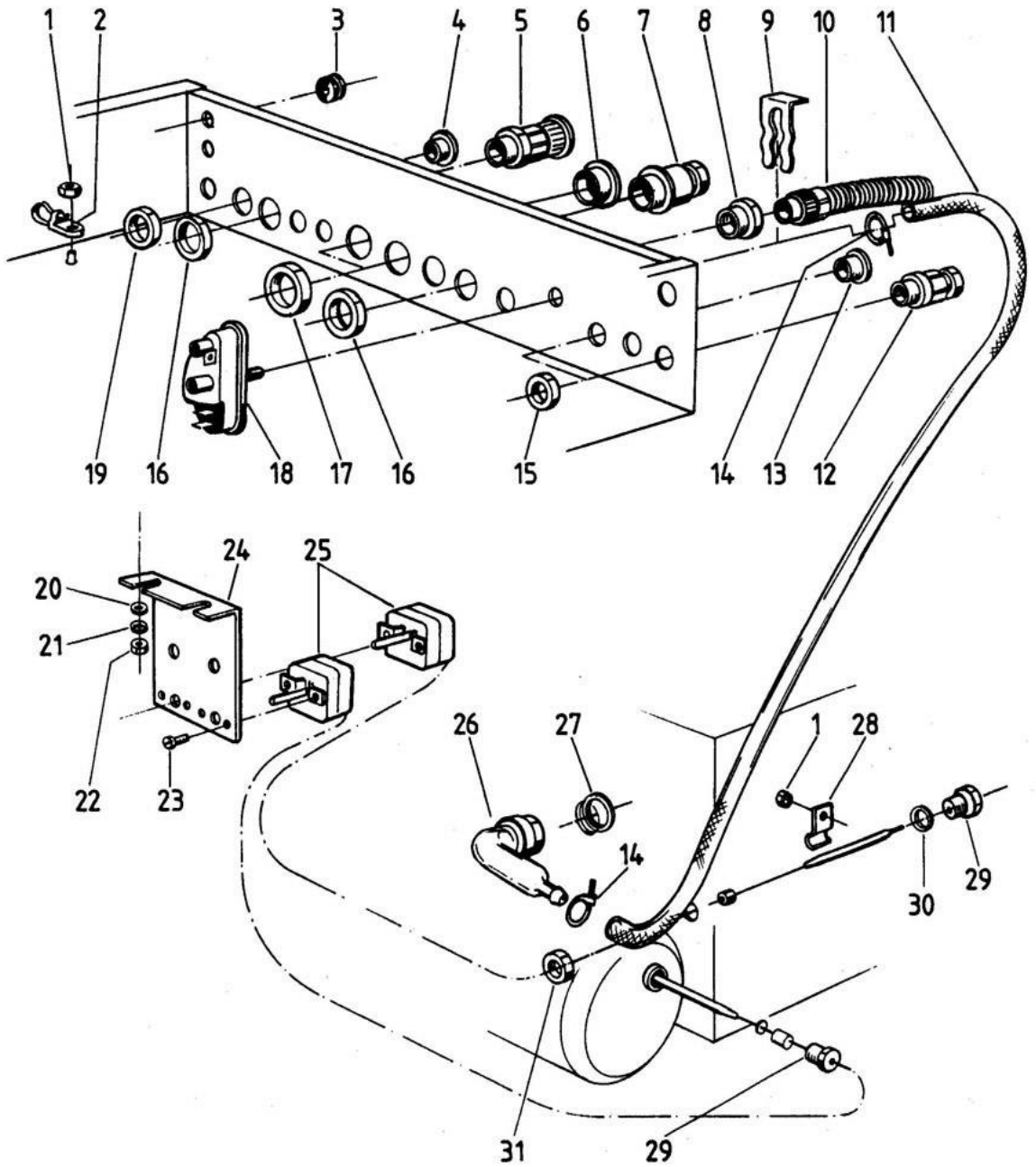
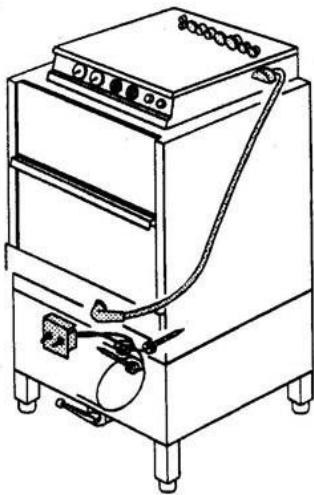


### GR 1221

### Elektroteile II

Electrical parts II

Matériel électrique II



## GR 1221

### Electrical parts II

Pos.	Designation	Part no.		Notes
1	Hexagon nut M 4	21 05 300		self-securing
2	Hose clamp 172 x 4,6	31 20 008		
3	Wire protecting sleeve	31 10 105	2	
4	Locking screw PG 16	31 10 025		
5	Cable gland PG 21	31 10 070		
6	Locking screw PG 29	31 10 026		
7	Cable gland PG 16	31 10 049		
8	Reduction 21/16	31 10 090	3	
n.p.	Reduction 29/21	31 10 091		
9	Friction spring for level switch	31 26 001		
10	Wiring loom	<del>31 23 069</del>		control
n.p.	Wiring loom	<del>31 23 068</del>		rotary current
				No more available!
11	Hose $\varnothing$ 5 x 1,5 x 1850	40 01 024		per metre
12	Cable gland PG 9	31 10 042	4	
13	Locking screw PG 9	31 10 021	4	
14	Hose clamp	31 20 015	2	
15	Hexagon nut PG 9	31 10 043	8	
16	Hexagon nut PG 21	31 10 071		
17	Hexagon nut PG 29	31 10 047	3	
18	Level switch 160/80	80003155		
19	Hexagon nut PG 16	31 10 110		
20	Washer $\varnothing$ 12 x $\varnothing$ 5,3 x 0,8	22 02 213		
21	Spring washer B 8	23 03 301		
22	Hexagon nut M 5	21 05 302		self-securing
23	Lens head screw M 4 x 5	20 10 309		
24	Thermostat support	65002459		
25	Thermostat 1750 lg.	31 25 013		Tank
	Thermostat 2100 lg.	31 25 015		Boiler
26	Air chamber cpl.	55 04 024		
27	Seal $\varnothing$ 36 x $\varnothing$ 26 x 2	27 01 003		
28	Thermostat clip	55 19 011		
29	Gland for thermostat	31 25 001		
30	Seal 20 x $\varnothing$ 14,2 x 2,0	27 09 036		
31	Hexagon nut M 14 x 1,5	31 25 002		

### GR 1221

### Elektroteile III

Electrical parts III

Matériel électrique III

